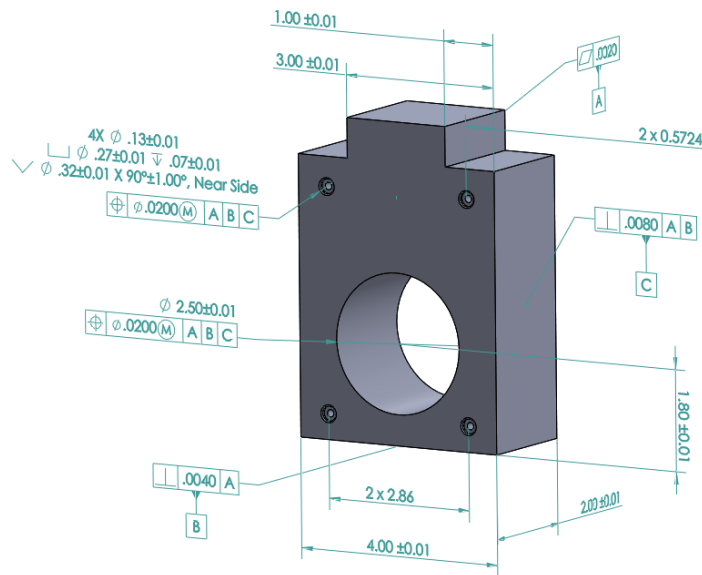


How To Install SOLIDWORKS MBD

TITLE:	How To Install SOLIDWORKS MBD
DATE:	September 2025
SUBJECT:	MBD Package
ABSTRACT:	Guide for installing the SOLIDWORKS MBD package



This guide is written to walk through the process of installing SOLIDWORKS MBD.

Before loading any software, you should always log in with full administrative permissions and user account controls. The installation process has a Java component; be sure your operating system has been updated with Windows Updates recently to avoid any compatibility issues with the installer.

If you want to move a license to a new system or from one machine to another, you must transfer that license beforehand. See the [license agreement](#) if you are unsure about this policy.

This is not a troubleshooting guide. If you have any technical issues with SOLIDWORKS MBD please contact [Hawk Ridge Systems Technical Support](#).

This document is only to be distributed and used by Hawk Ridge Systems customers. Any other use is prohibited.

©2025 Hawk Ridge Systems

Contents

Before Installation.....	2
Basic Installation.....	2

Before Installation

Hawk Ridge Systems highly recommends taking a moment before installing SOLIDWORKS and checking that you are ready to load your new software by going through the [Before Installing SOLIDWORKS Product](#) article.

Basic Installation

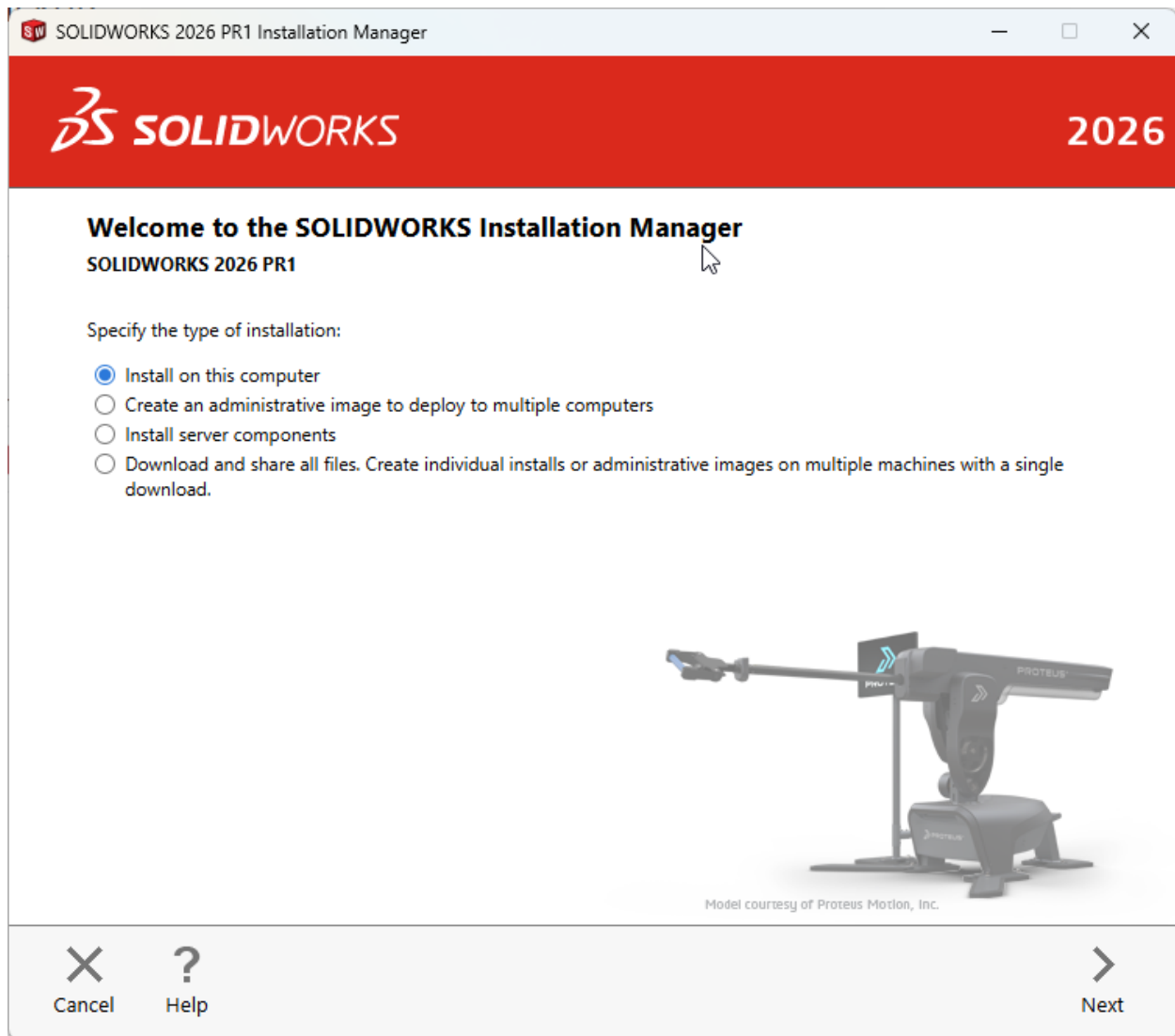
1. Make sure you are logged in as the administrator.
2. Upgrade or download SOLIDWORKS Products Version from the [SOLIDWORKS downloads page](#). Once the file has been downloaded, extract the file by double-clicking the SolidWorksSetup.exe and choose a destination for extraction. Double-click the executable (sldIM.exe in the sldim folder or setup.exe file) to begin the installation.

Name	Date modified	Type
lang	09/12/24 3:02 PM	File folder
MicrosoftEdgeWebView2RuntimeInstalle...	08/02/24 7:17 PM	Application
sldadminoptioneditor.exe	08/02/24 10:50 PM	Application
sldBqDwld.exe	08/02/24 10:50 PM	Application
sldIM.exe	08/02/24 10:50 PM	Application
sldim.xml	08/03/24 2:47 AM	Microsoft Edge H...
sldps.dll	08/02/24 10:50 PM	Application exten...
sldps_libFNP.dll	08/02/24 10:50 PM	Application exten...
startswinstall.exe	08/02/24 10:50 PM	Application
startswinstallhelper.exe	08/02/24 10:50 PM	Application
WebView2Loader.dll	10/31/23 4:35 AM	Application exten...
xceedzip.dll	08/02/24 7:39 PM	Application exten...



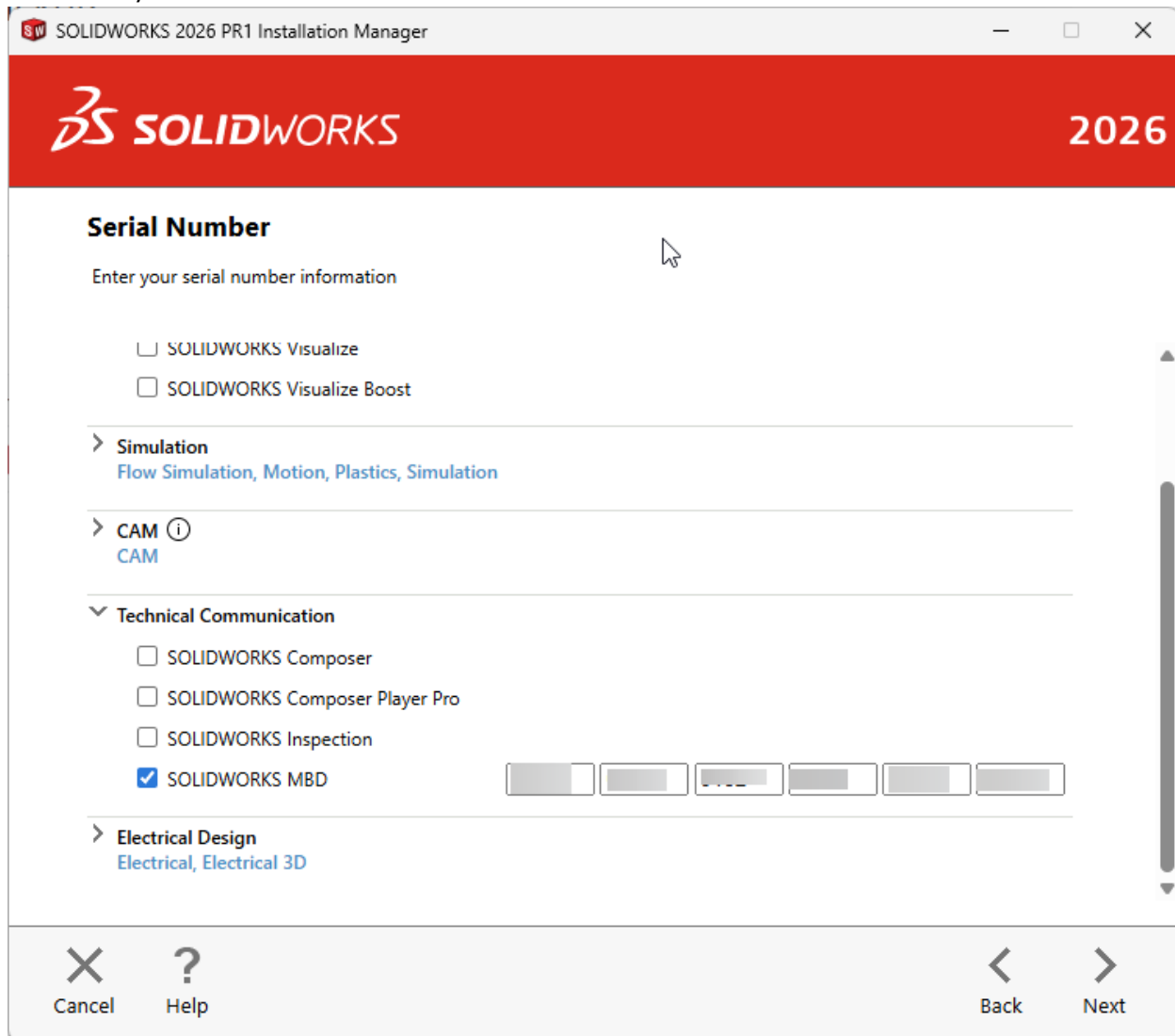
HAWK RIDGE SYSTEMS

3. Once started, the executable should bring you to the install wizard. Click "Install on this computer" and then click "Next".





4. The next page will ask for your 24-digit serial number. If you have this information in a document on the computer, you can copy and paste this information into the first cell, and it will be filled out correctly. Click "Next" to continue.

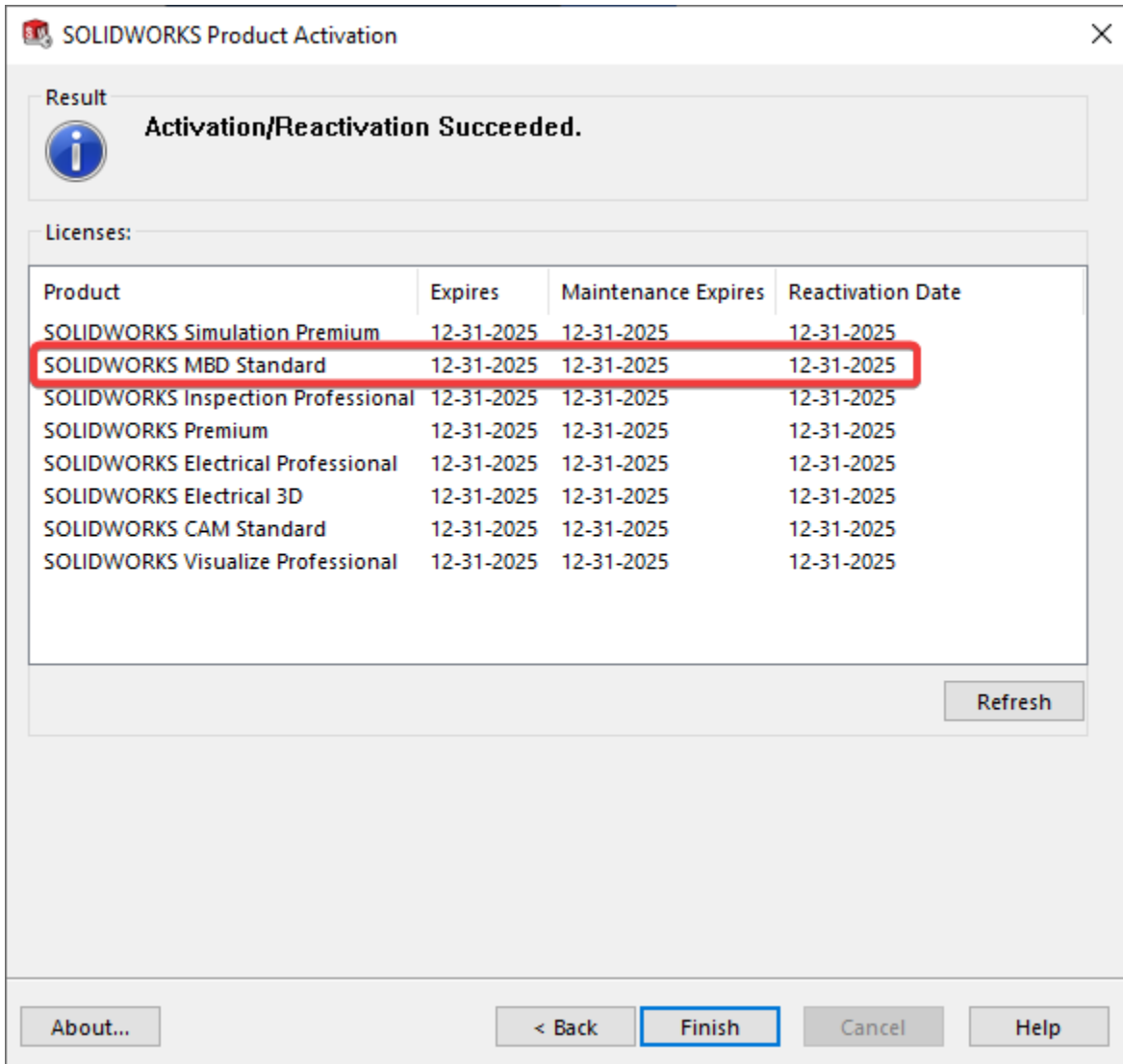


5. If you already have a previous version of SOLIDWORKS installed, the next page will ask if you are upgrading or installing another installation. Select the option that best suits your needs and click "next".
6. Note that SOLIDWORKS MBD does not show up as a selection in the product selection page of the installation process, because the MBD components are automatically installed with the SOLIDWORKS installer.
7. On the following page, you can set the install folder by clicking "Change". If the default (C:\Program Files) is acceptable, simply hit "Install Now" or "Download and Install".

▼ Installation Location

Installation location: C:\Program Files\SOLIDWORKS Corp

8. Once the installation is complete, click finish.
9. Launch SOLIDWORKS. You will be prompted to activate the SOLIDWORKS products. Select SOLIDWORKS MBD and click "Next".



10. SOLIDWORKS MBD is now included in the SOLIDWORKS add-ins list. To use MBD before the 2025 release, simply activate the MBD toolbar ribbon to gain access to the MBD commands.

For further assistance, please contact our support team at support@hawkridgesys.com, or 877-266-4469 (US) or 866-587-6803 (Canada).