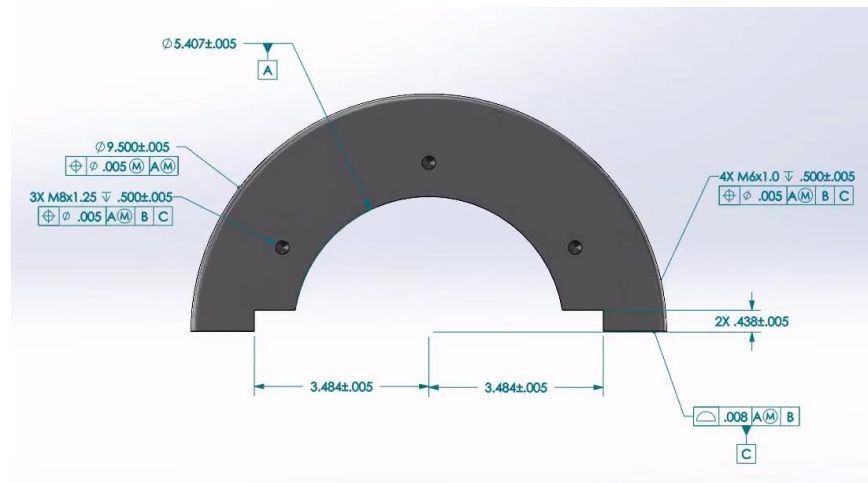


2020 SOLIDWORKS MBD Install Guide

| | |
|-----------|---|
| TITLE: | SOLIDWORKS MBD Install Guide |
| DATE: | September 2019 |
| SUBJECT: | MBD Package |
| ABSTRACT: | Guide for installing the SOLIDWORKS MBD package |



This guide is written for SOLIDWORKS MBD 2020.

Before loading any software, you should always log in with full administrative permissions and disable your anti-virus, anti-spyware, and user account controls. The installation process has a Java component; be sure your operating system has been updated with Windows Updates recently to avoid any compatibility issues with the installer.

If you want to move a license to a new system or from one machine to another, you must transfer that license beforehand. See the license agreement if you are unsure about this policy.

This is not a troubleshooting guide. If you have any technical issues with SOLIDWORKS MBD please contact [Hawk Ridge Systems Technical Support](#).

This document is only to be distributed and used by Hawk Ridge Systems customers. Any other use is prohibited.

Contents

| | |
|---|---|
| 2020 SOLIDWORKS MBD Install Guide | 1 |
| Before Installation..... | 2 |
| Basic Installation..... | 2 |

Before Installation

Hawk Ridge Systems highly recommends taking a moment before installing SOLIDWORKS and checking that you are ready to load your new software.

First, check links to ensure minimum [system requirements](#) and the [video card](#) compatibility is met. Also, confirm that the hard drive has enough storage to have at least 15% free space, after the full installation. Back-up data such as any shared Toolbox library, Design Library, Template files, or a data management vault. As always, verify workmates, customers, or vendors are all on the same version of SOLIDWORKS. Older versions of SOLIDWORKS cannot open files from newer versions.

Basic Installation

1. Make sure you are logged in as the administrator.
2. Disable all anti-virus and anti-spyware tools.
3. Install/Update to SOLIDWORKS 2020.

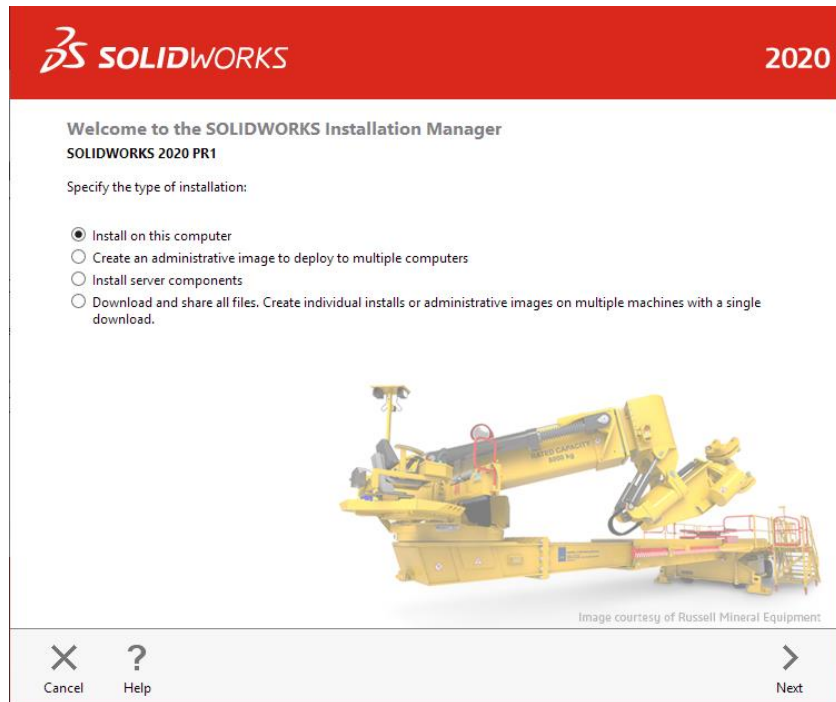
Download SOLIDWORKS 2020 from the SOLIDWORKS Customer Portal site. Once the file has been downloaded, be sure to right-click the file, select "Properties," and if there is an "unblock" option, select it and click "apply". Double-click the executable (sldIM.exe or setup.exe file) to begin the installation

[Find our downloads and updates guide here.](#)

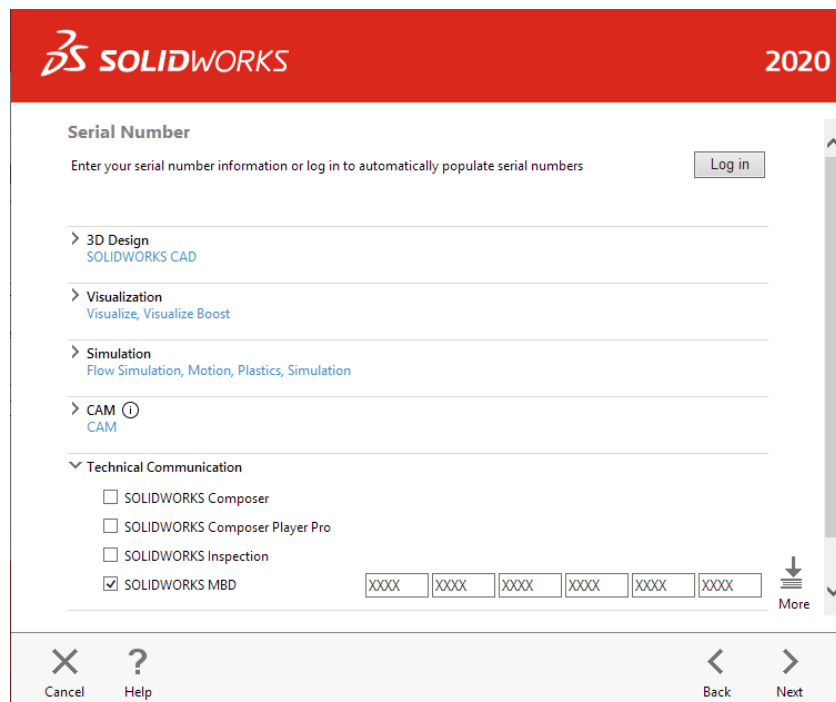
| | | | |
|--------------------------|--------------------|-----------------------|-----------|
| lang | 9/18/2019 11:01 AM | File folder | |
| swHelpViewer | 9/18/2019 11:01 AM | File folder | |
| sldadminoptioneditor.exe | 9/5/2019 10:22 PM | Application | 8,365 KB |
| sldBgDwld.exe | 9/5/2019 10:22 PM | Application | 5,182 KB |
| sldIM.exe | 9/5/2019 10:22 PM | Application | 18,009 KB |
| sldim.xml | 9/6/2019 2:05 AM | XML Document | 296 KB |
| sldIMDownloader.exe | 9/5/2019 10:22 PM | Application | 4,998 KB |
| sldps.dll | 9/5/2019 10:23 PM | Application extens... | 4,017 KB |
| sldps_libFNP.dll | 9/5/2019 10:23 PM | Application extens... | 7,193 KB |
| startswinstall.exe | 9/5/2019 10:22 PM | Application | 1,936 KB |
| startswinstallhelper.exe | 9/5/2019 10:22 PM | Application | 300 KB |



- Once started, the executable should bring you to the install wizard. Click "Individual" and then click "Next".



- The next page will ask for your 24 digit serial number. If you have this information in a document, you can copy and paste this information into the first cell and it will fill out correctly. Click "Next" to continue.





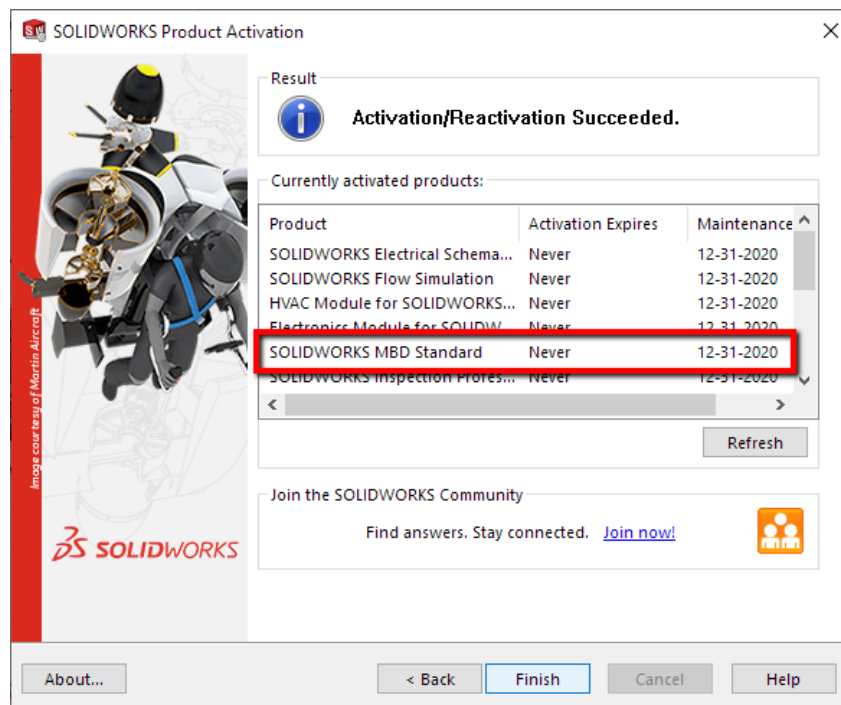
6. If you already have a previous version of SOLIDWORKS installed, the next page will ask if you are upgrading or installing another installation. Select the option that best suits your needs and click "next".
7. Note that SOLIDWORKS MBD does not show up as a selection in the product selection page of the installation process because the MBD components are automatically installed with the SOLIDWORKS installer.
8. On the following page, you can set the install folder by clicking "Change". If the default (C:\Program Files) is acceptable, simply hit "Install Now" or "Download and Install".

Installation Location

[Change](#) 

Installation location: C:\Program Files\SOLIDWORKS Corp

9. Once the install is complete, simply click finish.
10. Launch SOLIDWORKS. You will be prompted to activate the SOLIDWORKS products. Select SOLIDWORKS MBD and click "Next".



11. SOLIDWORKS MBD is not included in the SOLIDWORKS add-ins list. To use MBD, simply activate the MBD toolbar ribbon to gain access to the MBD commands.