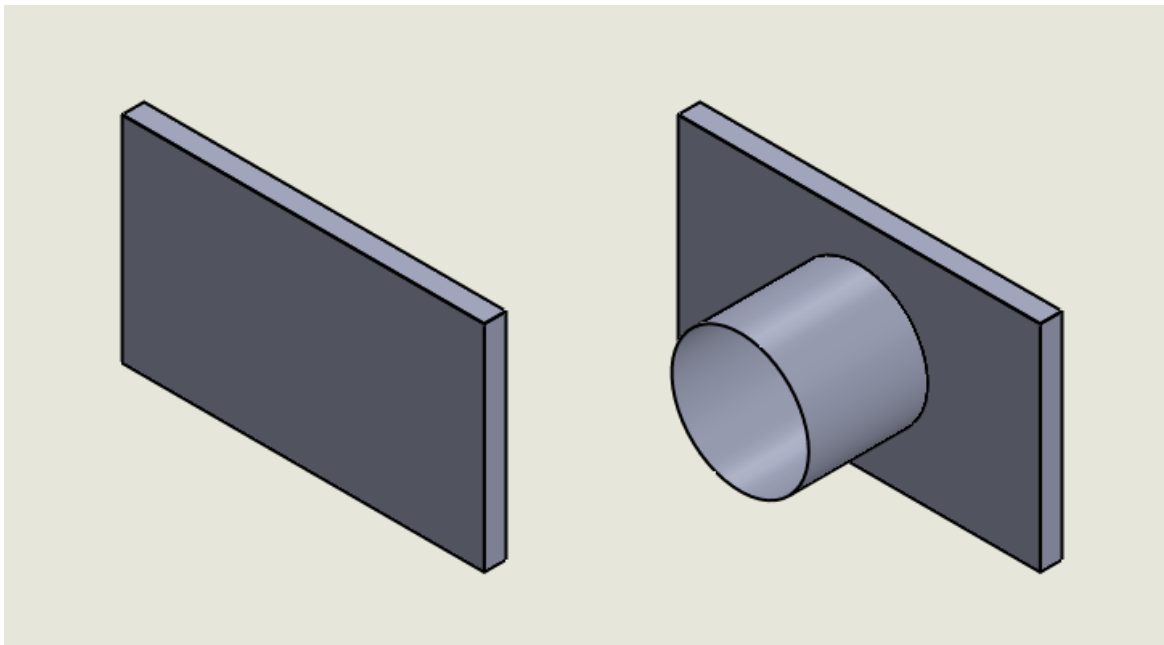
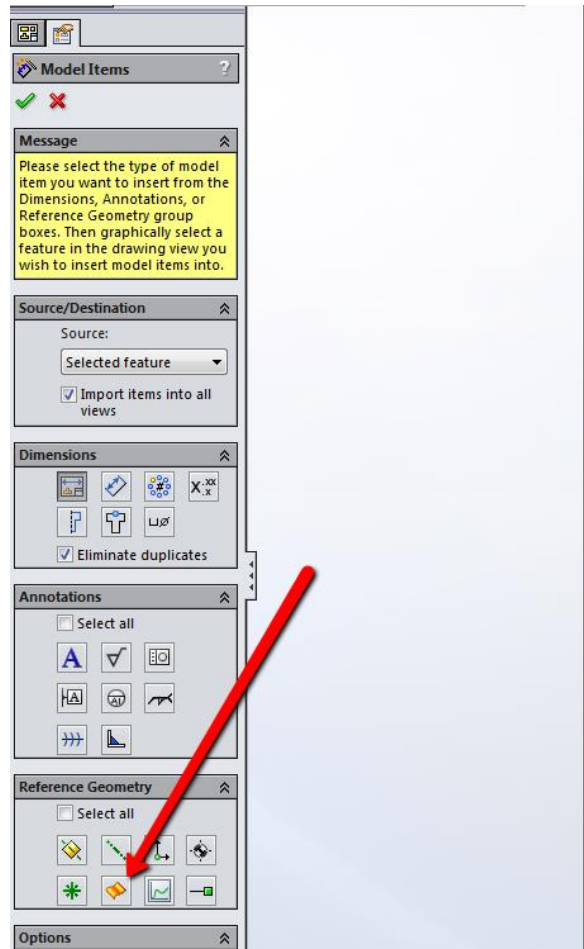


## Why Are Surface Bodies Not Showing in Drawing Views?

This article describes the procedure to show surface bodies in a drawing of a multibody part that contains both surface and solid bodies.



By default, drawing files do not show the surface bodies of a multibody part containing surface and solid bodies. The surfaces are considered reference geometry. Thus, the surfaces need to be imported into the model view of the drawing. To import surfaces into the model view of the drawing, go to Insert > Model Items in the drawing. In the Insert Model Property Manager dialog, go to the Reference Geometry section and select the Surfaces button.



All surface bodies should now appear in the drawing view.